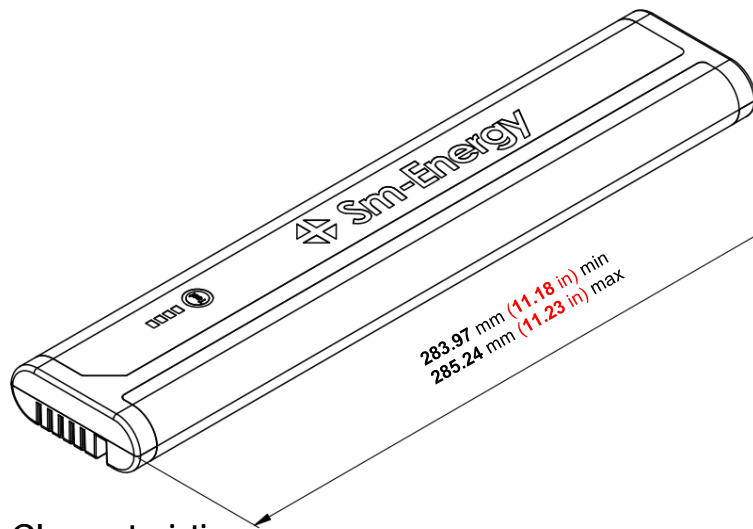
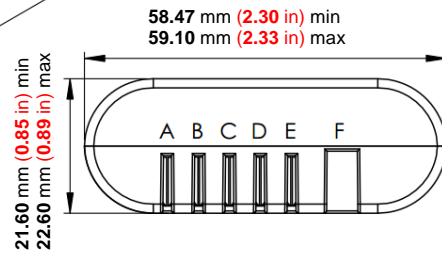


SM221-6.75-30 14.4V, 6750mAh, 98Wh Data Sheet



Terminal	Legend	Description
A	(-)	Negative
B	(T)	Safety Signal
C	(D)	Data
D	(C)	Clock
E	(+)	Positive
F		KEY



Product Characteristics

Rechargeable Chemistry	Lithium-Ion	
Approximate Weight		1.40 lbs (0.634 kg)
Communication	SMBus	
General	Nominal Voltage	14.4V
	Nominal Capacity	6750mAh
	Nominal Energy	98Wh
Charging	Charge Voltage	16.8V
	Charging Current	4.5A
	Termination Current	300mA
	Charge Temperature	0°C to +40°C
Discharging	Maximum Continuous Current	10.5A @ 25°C
	Discharge Termination	12.0V
	Discharge Temperature	-20°C to +60°C
Storage	Temperature (1 month)	-20°C to +50°C
	Temperature (3 month)	-20°C to +40°C
	Temperature (12 month)	-20°C to +20°C
Certifications	IEC 62133, 1 st Edition	
	UN 38.3	