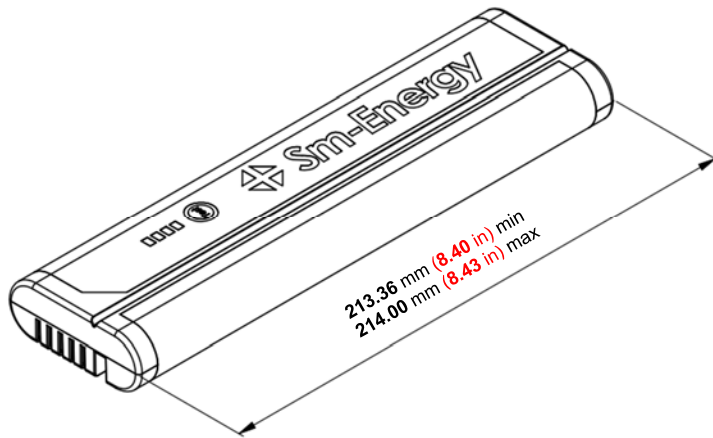
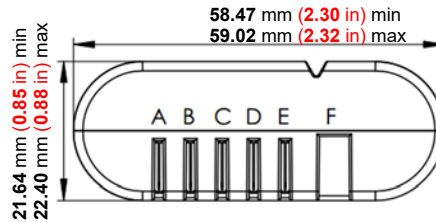


SM204-7.5-35 11.1V, 7500mAh, 84Wh

Data Sheet



Terminal	Legend	Description
A	(-)	Negative
B	(T)	Safety Signal
C	(D)	Data
D	(C)	Clock
E	(+)	Positive
F		KEY



Product Characteristics

Rechargeable Chemistry	Lithium-Ion	
Approximate Weight	1.085 lbs (0.490 kg)	
Communication	SMBus	
General	Nominal Voltage	11.1V
	Nominal Capacity	7500mAh
	Nominal Energy	84Wh
Charging	Charge Voltage	12.6V
	Charging Current	4.0A
	Termination Current	300mA
	Charge Temperature	0°C to +40°C
Discharging	Maximum Continuous Current	10A @ 25°C
	Discharge Termination	9.0V
	Discharge Temperature	-20°C to +60°C
Storage	Temperature (1 month)	-20°C to +60°C
	Temperature (3 month)	-20°C to +45°C
	Temperature (12 month)	-20°C to +27°C
Certifications	IEC 62133, 1 st Edition UN38.3	